



l i f t





l i f t

Installation's a breeze

Thanks to the design of the E-Lift unique self-supporting lift shaft the building requirements for installation have been reduced dramatically. This has resulted in a truly affordable domestic/commercial elevator.

Internal or External Applications

Traditional elevator shafts require major construction. This is both time consuming and expensive. The freestanding E-Lift not only eliminates these costs but also enables the lift to be installed externally. This feature is extremely useful for existing buildings that simply do not have suitable internal space.

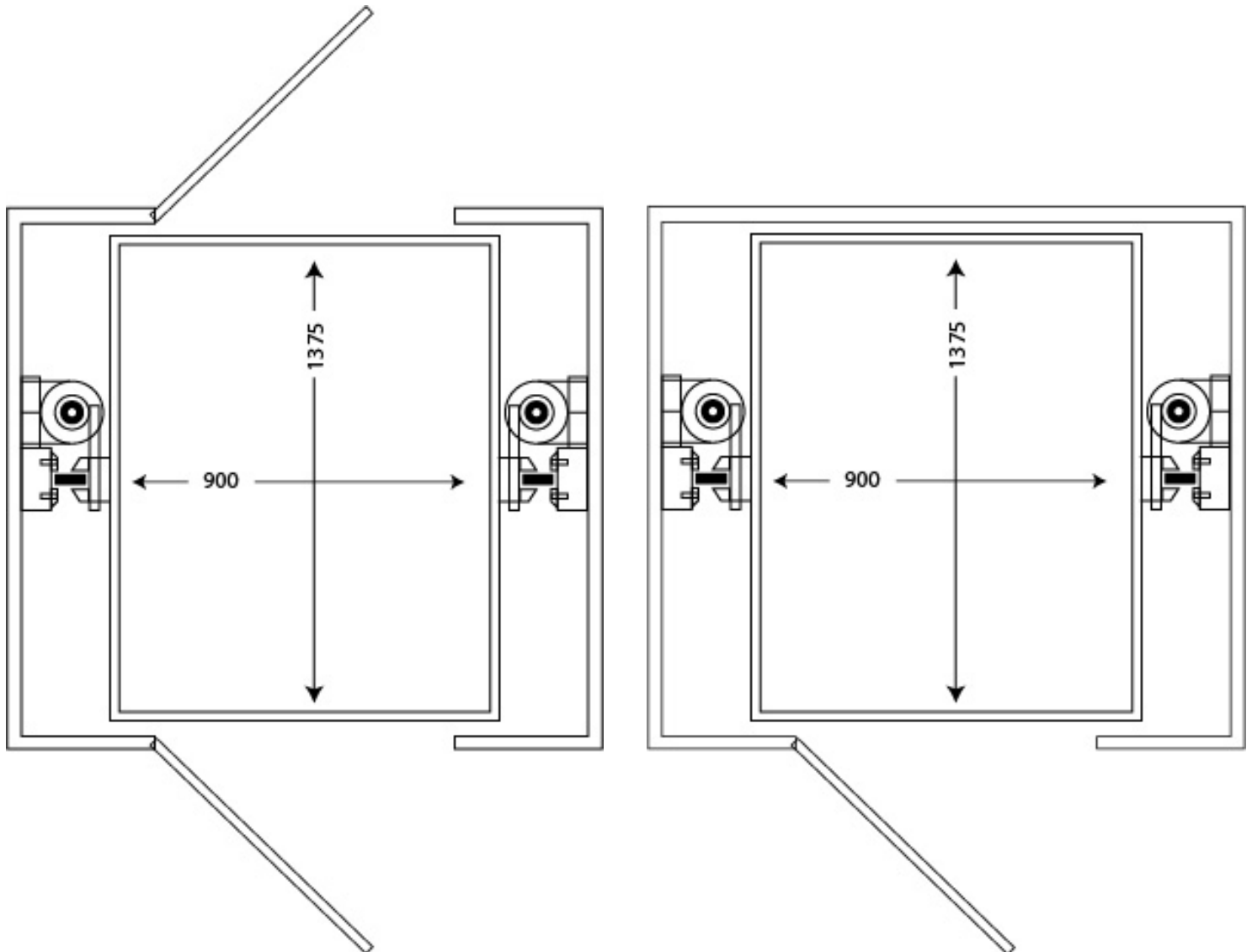


3 - 4 Passenger Home Lift

Is a self supporting intergrated tower structure and guided lift car. It is designed for ease of installation either as a freestanding unit ready for cladding or into an existing shaft.

Drive Type	Direct hydraulic, twin ram
Power requirements	240 volt single phase 15 amp or 415 volt three phase 11 amp
Control System	Automatic (key lockable option)
Rated Capacity	3 persons or wheelchair +1
Travel (maximum)	8000 mm
Rated speed	Up to 0.25 m/s max.
Floor dimensions	900 x 1300 mm (large car avail)
Car interior	Fire rated laminex Floor covering - by others Lighting - halogen downlights
Emergency facilities	Telephone, alarm & car light 24 volt DC battery backup
Tower dimensions	1370 x 1530 mm (large car avail)
Pit depth	150 mm (minimum)
Top clearance	3000 mm (minimum)
Landing doors	900 x 2000 mm Self closing swing door

Note: Pit depth & top cleance depend on travel distance

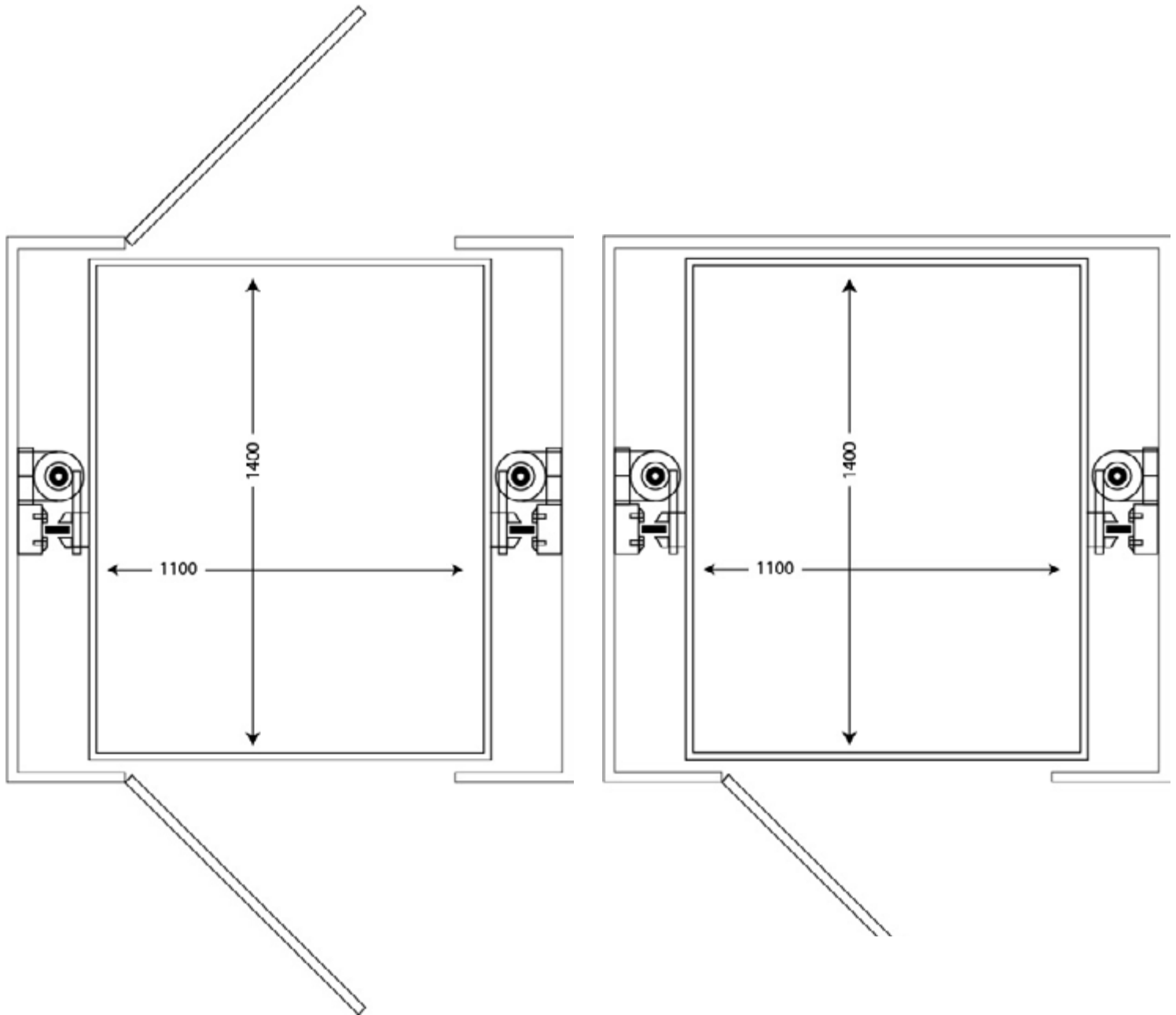


4 Passenger commercial lift

Is a non-automatically controlled low-level lift intended primarily to provide verticle access for persons with limited mobility. It can be used for private or public applications.

Drive Type	Direct hydraulic, twin ram
Power requirements	240 volt single phase 15 amp or 415 volt three phase 11 amp
Control System	Manual constant pressure (key lockable option)
Rated Capacity	4 persons or wheelchair +1
Travel (maximum)	4000 mm
Rated speed	0.15 m/s max.
Floor dimensions	1100 x 1400 mm (see Large Car)
Car interior	Fire rated laminex Floor covering - by others Lighting - halogen downlights
Emergency facilities	Telephone, alarm & car light 24 volt DC battery backup
Tower dimensions	1570 x 1730 mm (see Large Car)
Pit depth	150 mm (minimum)
Top clearance	3000 mm (minimum)
Landing doors	900 x 2000 mm Self closing swing door

Note: Pit depth & top cleance depend on travel distance



Is a self supporting intergrated tower structure and guided lift car. It is designed for ease of installation either as a freestanding unit ready for cladding or into an existing shaft.

Lift Code classification	AS1735 Part 16
Drive Type	Direct hydraulic, twin ram
Power requirements	415 volt three phase 11 amp
Control System	Automatic (key lockable)
Rated Capacity	6 persons
Travel (maximum)	9000 mm
Rated speed	0.30 m/s max.
Floor dimensions	1100 x 1400 mm
Car interior	Fire rated laminex Floor covering - by others Lighting - halogen downlights
Emergency facilities	Telephone, alarm & car light 24 volt DC battery backup
Tower dimensions	1730 x 1800 mm
Pit depth	150 mm (minimum)
Top clearance	3200 mm (minimum)
Landing doors	900 x 2100 mm Automatic, internal and external central parting sliding doors

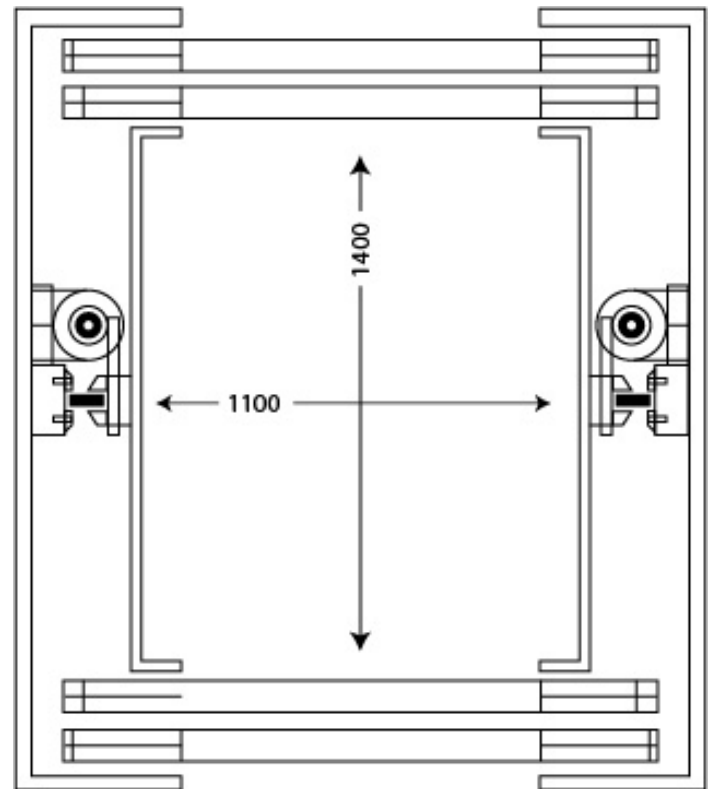
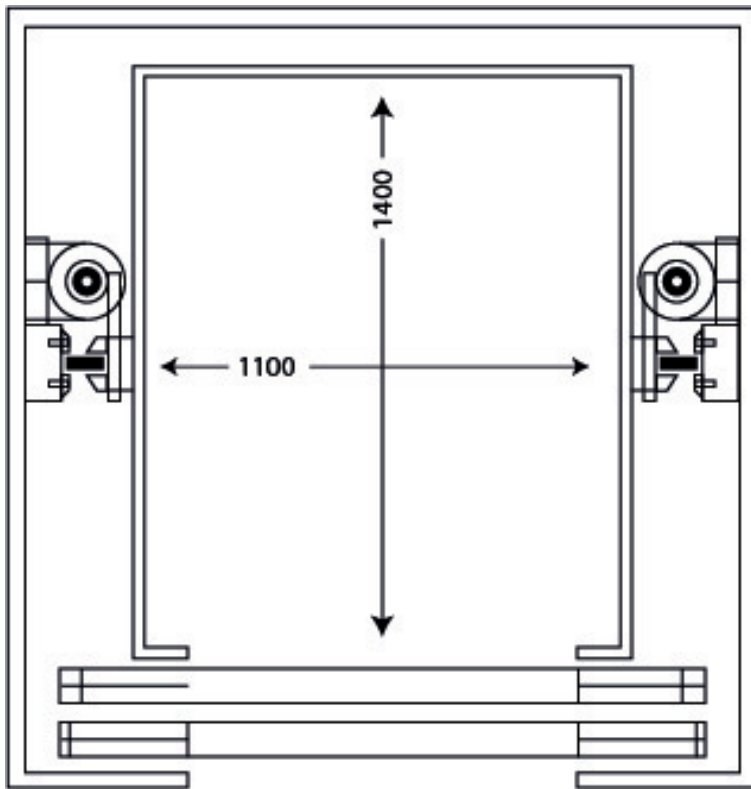
Note: Pit depth & top cleance depend on travel distance

9 Passenger public lift

Is a self supporting intergrated tower structure and guided lift car. It is designed for ease of installation either as a freestanding unit ready for cladding or into an existing shaft.

Lift Code classification	AS1735 Part 3
Approval	Workcover NSW & Victoria
Drive Type	Direct hydraulic, twin ram
Power requirements	415 volt three phase 11 amp
Control System	Automatic (key lockable)
Rated Capacity	9 persons
Travel (maximum)	12000 mm
Rated speed	0.60 m/s max.
Floor dimensions	1100 x 1400 mm
Car interior	Fire rated laminex Floor covering - by others Lighting - halogen downlights
Emergency facilities	Telephone, alarm & car light 24 volt DC battery backup
Tower dimensions	1730 x 1800 mm
Pit depth	1000 mm (minimum)
Top clearance	3600 mm (minimum)
Landing doors	900 x 2000 mm Automatic, internal and external central parting sliding doors

Note: Pit depth & top cleance depend on travel distance





EXTRAS

Control Cabinet Requirements

- MODEL EL-18PR (Up to 6500 Travel) 375 deep x 470 wide x 1880 high
- MODEL EL-18 PR (Over 6500 Travel) 400 deep x 600 wide x 1905 high
- MODEL EL-15CA 375 deep x 470 wide x 1880 high
- MODEL EL-16PB (Up to 6500 Travel)= 400 deep x 600 wide x 1880 high
- MODEL EL-16PB (Over 6500 Travel) Cabinet Size T.B.A
- MODEL EL-03PB = 500 deep x 1600 wide x height of room

NOTE: These preferred dimensions are negotiable

The above dimension are suitable for a 20 motor start per hour lift only.

Optional Additions:

- Auto Dial Telephone
- Through Car
- Stainless Handrail
- Braille Buttons
- Voice Announcements
- Weatherproof Cabin
- Opposite doors at different landings
- Stainless Kickboard
- Additional C.O.P.

Work By Others:

- Council Permits
- Pit Construction
- Telephone Wiring
- Protection of pit hole prior to construction
- Accommodation of the machine tower after installation
- Cladding of the tower after installation
- Car Flooring

Servicing:

- Parts are covered for 12 months under warranty
- At least one service per year is recommended